

Compressed Air Drain Trap

CA – 14 C.I

Description:

The CA 14 C.I. is a float type automatic liquid drain trap for air systems. It has a cast iron body and cover with synthetic rubber valve head for positive closure.

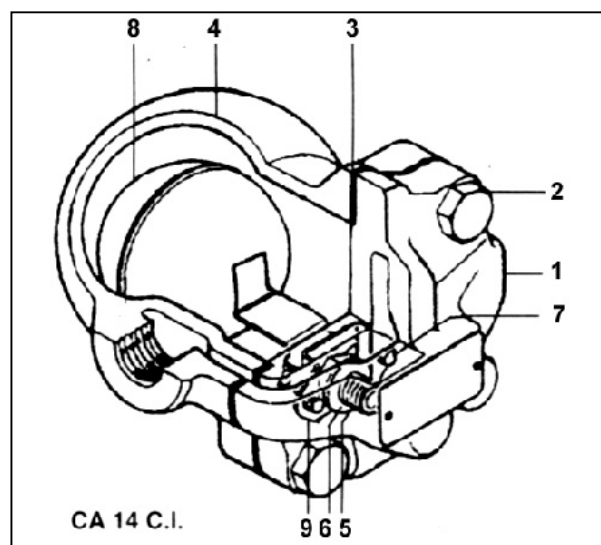
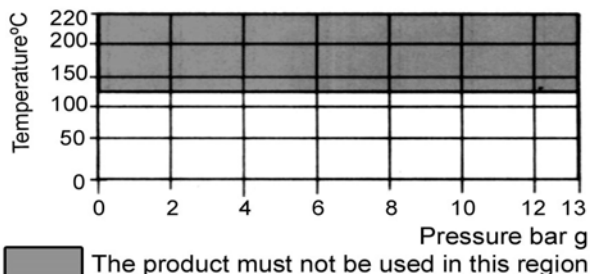
Available Sizes and end connections:

15, 20 & 25 NB Screwed: BSPT/NPT

Limiting Conditions:

PMA - Max. allowable pressure	= 13.0 bar
TMA - Max. allowable temperature	= 220°C
TMO - Max. operating temperature	= 127°C
Cold hydraulic test pressure	= 26.0 bar (g).
△ PMX - Max. differential pressure	= 13 bar

Operating Range

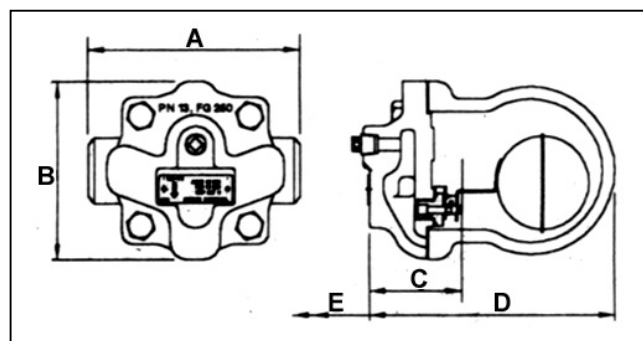


Dimensions (approx.) in mm

Size	A	B	C	D	E
15/20	130	109	72	152	120
25	14	109	72	160	135

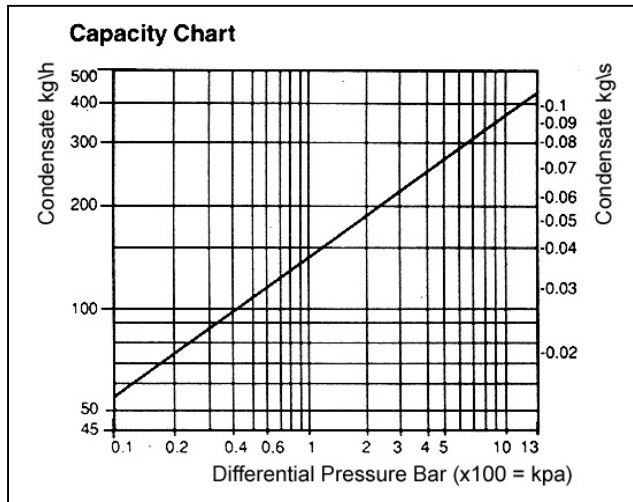
No.	Part	Material	Standard
1.	Base	Cast Iron	IS210FG260
2.	Cover Bolts	Carbon Steel	H.T. IS 1367 Gr8
3.	Cover Gasket	Asbestos Free Synthetic Fibre	
4.	Cover	Cast Iron	IS210FG260
5.	Valve Seat	Stainless Steel	ASTMA-743 Gr.CA40
6.	Valve Seat Gasket	Stainless Steel	ASTM A - 240 Type 304
7.	Set Screws	Stainless Steel	IS 1364 Type 304
8.	Ball Float & Lever	Stainless Steel	ASTM A - 240 Type 304
9.	Pivot Frame	Stainless Steel	ASTM A - 240 Type 304
*10.	Valve Spring	Stainless Steel	BS 2056 Type 302 302 S26
11.	Valve Head	Synthetic Rubber	Viton

* Item No. 10 is only for 25NB CA 14 C.I.



Installation:

The trap should be fitted in a horizontal plane or vertical plane with inlet at the top so that the float mechanism is free to rise and fall in vertical plane. Point arrow on name plate downwards. The arrow on the casting indicates the flow direction. Refer user manual (latest revision) for further details.



Maintenance:

With suitable isolation, repairs can be carried out with the trap in the line. When reassembling it is advisable to make sure that all the joint faces are clean.

How to fit Main Valve:

Undo cover bolts and lift off base, withdraw pivot pin to release float and lever from bracket. Push out dumbbell shaped valve and replace with new one. Reassemble and refit cover using new gasket.

How to fit Main Valve Assembly:

Undo cover bolts and lift off base. Remove complete float assembly by undoing the two screws. Remove main valve seat and replace with a new one supplied with new gasket. Fit complete new float assembly by tightening the assembly set screws. Refit cover using new gasket.

Recommended tightening torques:

Main Valve Seat 25-35 Nm.
 Cover Bolts 25-35 Nm.
 Main Valve Assly. Screws 2.5 -3 Nm.

Spare Parts: (Refer Fig. below.)

The spare parts available are shown in heavy outline. Parts drawn in broken lines are not supplied as spares

Available Spares:

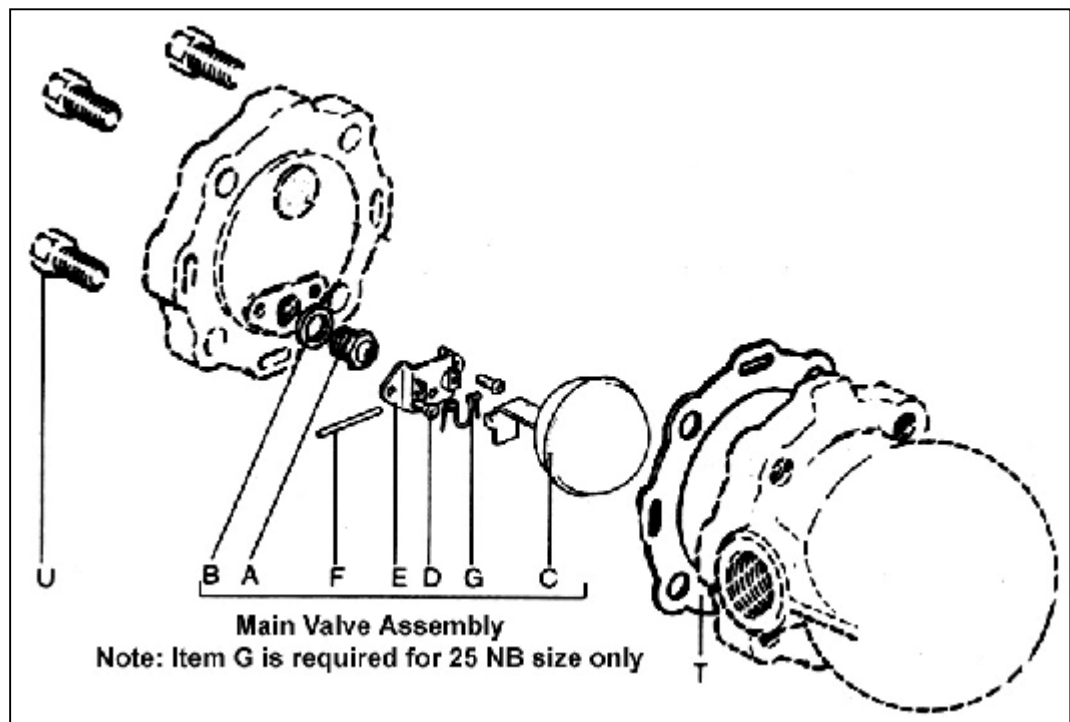
Main Valve Assembly	A, B, C,D, E, F, G, T
Set of all Gaskets (Packet of 3)	B, T
Float assly.	'C'

How to Order:

Always order spares by using the description given in the column headed 'Available Spares' In User Manual.

How to Specify:

Example: 20 NB SPIRAX - MARSHALL CA 14 C.I. screwed BSPT.



CLICK FOR ADDRESS